

# POWER EYES<sup>®</sup> II



HTE CANADA



**New world vision technology**



**Top maker in multi-frequency  
eyes circulation massager**

## **Multi-functional Eye massager**



**HTE CANADA**



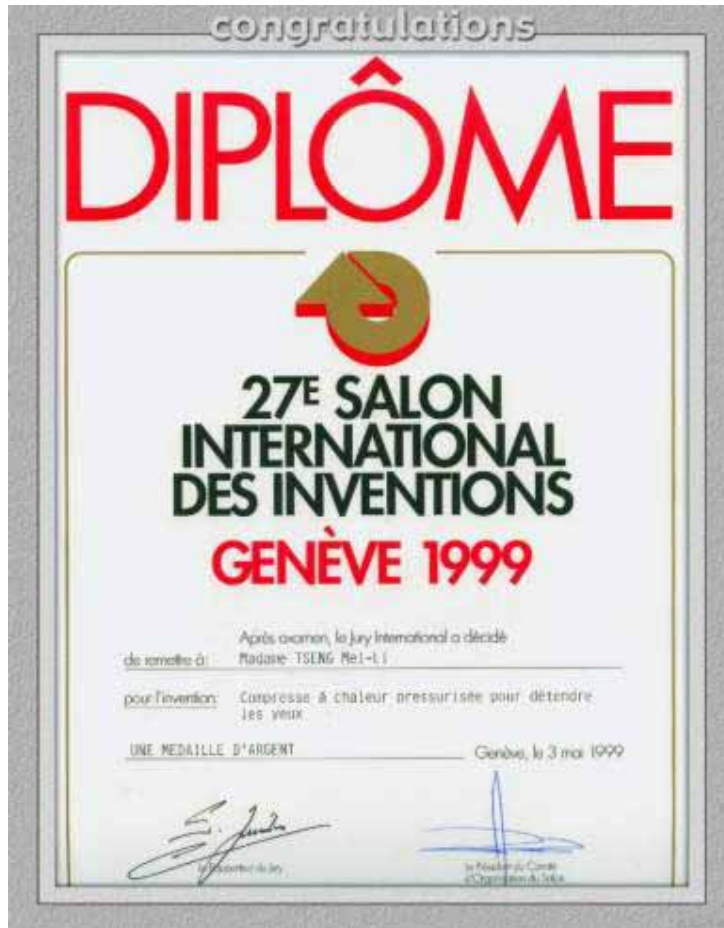
# Awarded:



**HTE CANADA**



# Awarded:



**HTE CANADA**



# Product Feature

**Advanced Micro-computer chip technology-**

Built in-computer programming,

include: 5-10-15 minutes periodical control.

Coordinate mini Air pump, Thermometer &  
Vibrator

Provide multi operational sequence which combine  
vibrating, rubbing, pinching, pressing and FIR penetrating  
action

## Product Feature – FIR heat



## Nano-technology with Bio Wood-charcoal material

- Inhibit bacteria growth
- Soft, work well with Power Eye mechanical design
- Radiate FIR and Anion able to penetrate to promote Circulation and metabolism

**HTE CANADA**



# Product Features

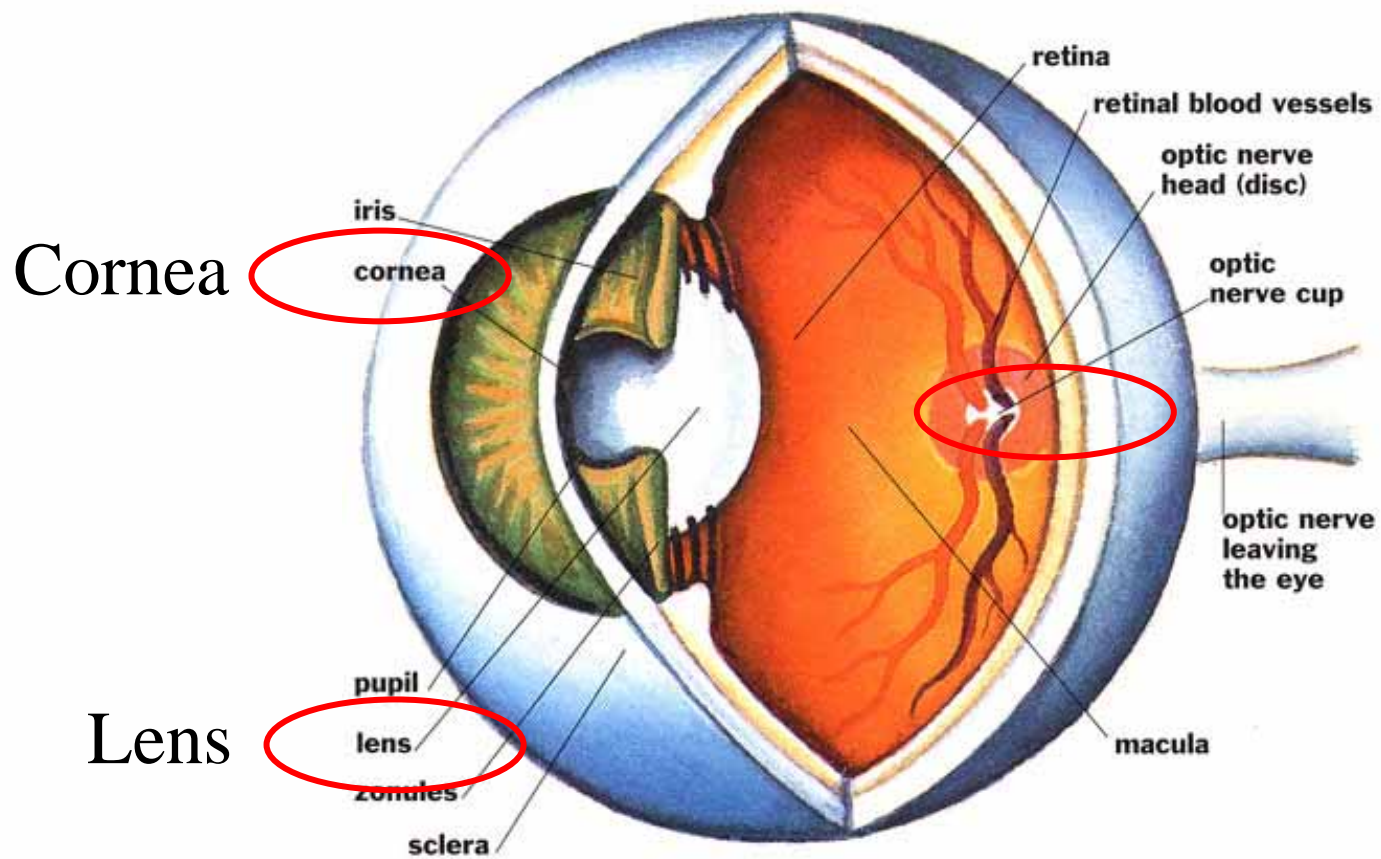
- Option to adjust for 3 pressure levels
- Far Infrared Heat
- Auto/manual set up with 7 kinds of massage combinations.



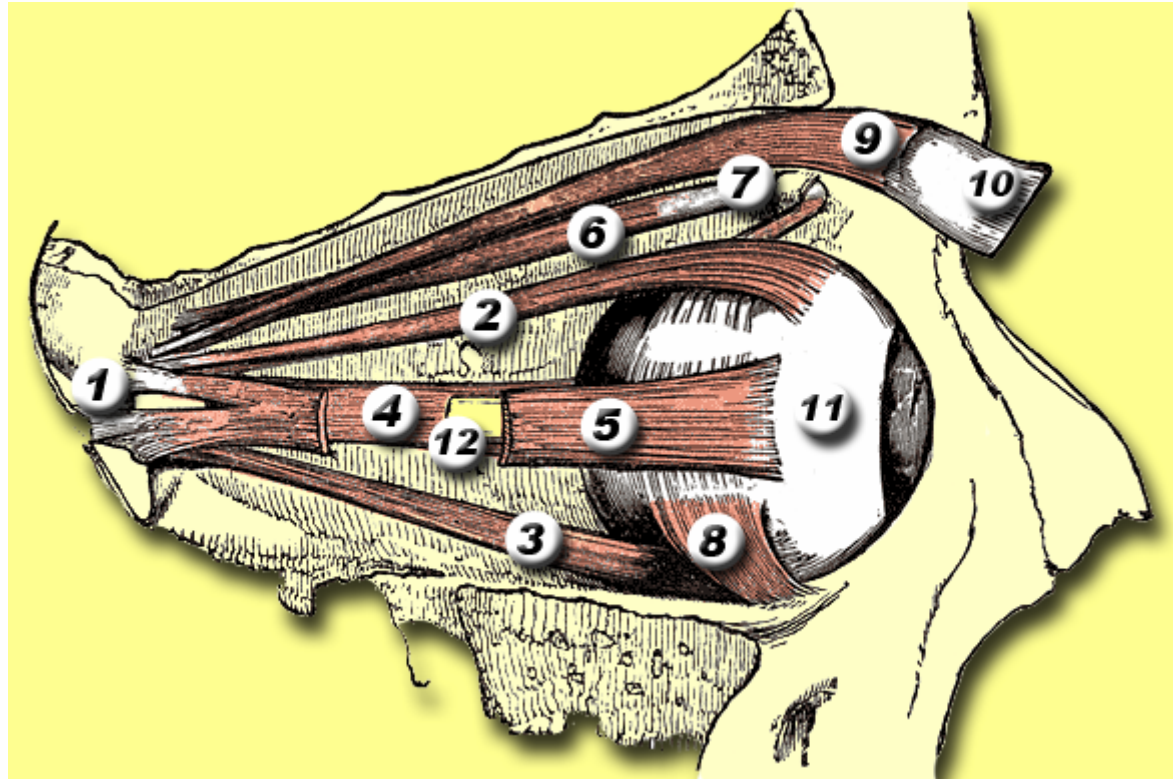
# Benefits

- Improve Blood Circulation in the Eye Area
- Deep Therapy Promotes Metabolism
- Increases Oxygen to the Eyes
- Delays Aging
- Eliminates Dark Circles & Fine Wrinkles

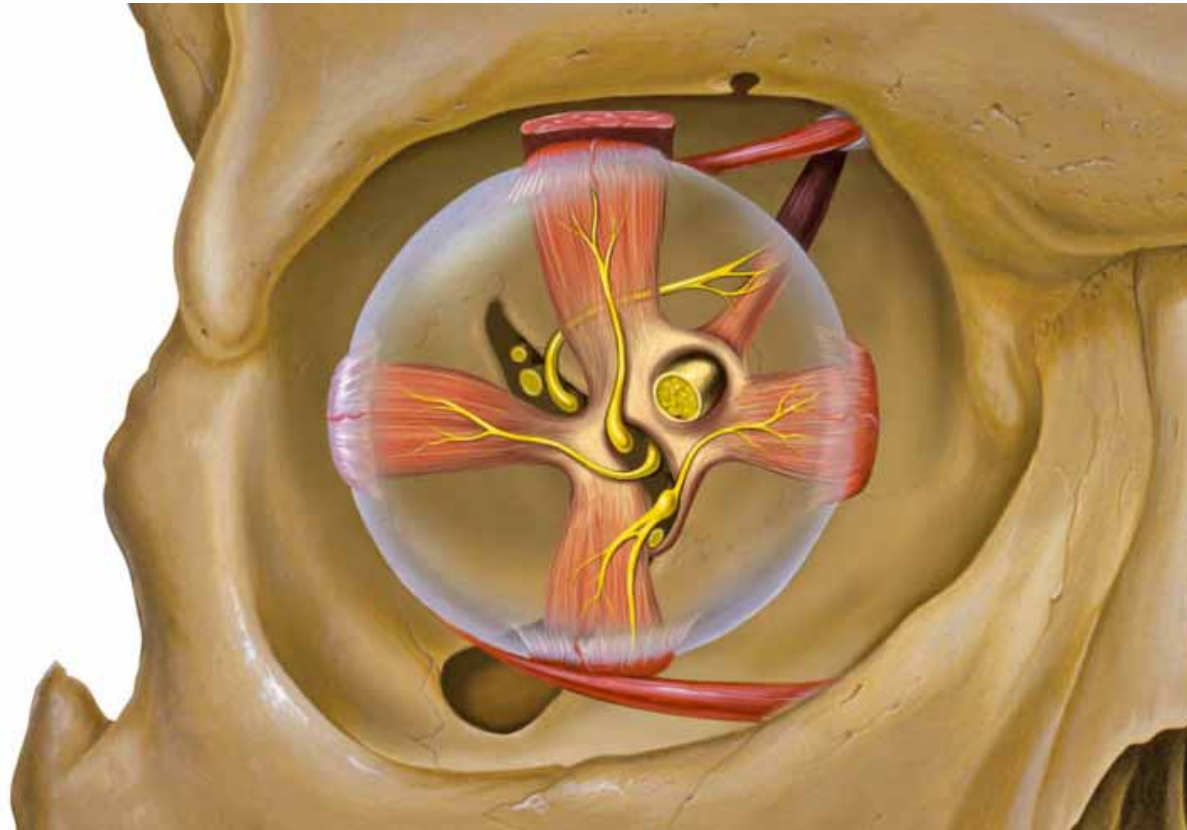
# Eye construction



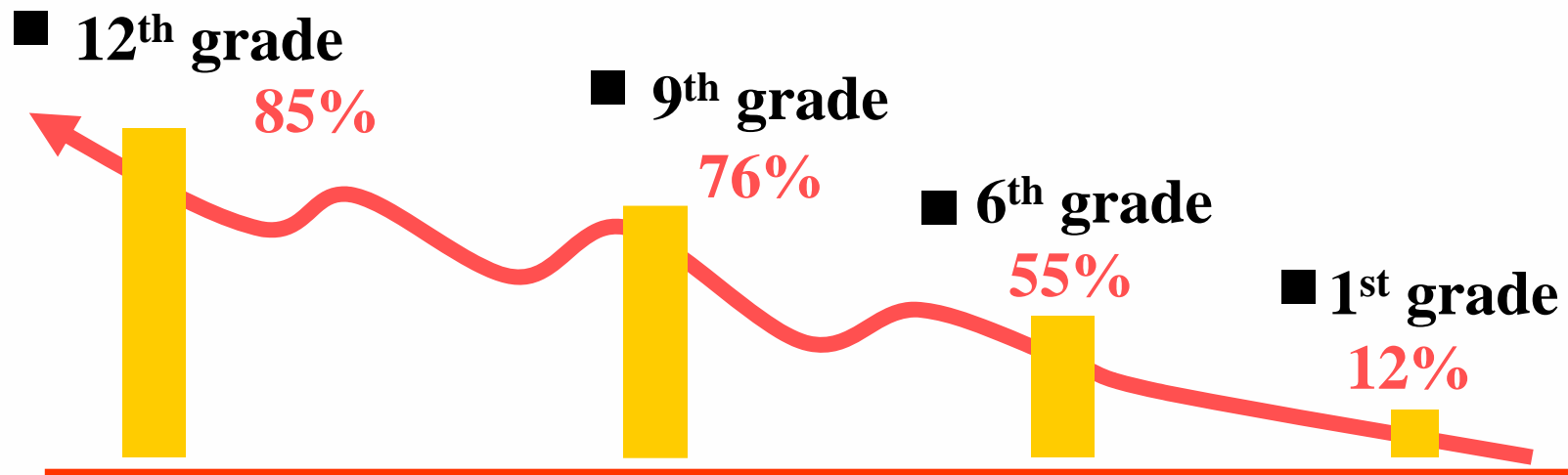
# Muscle system of Eye



# Muscle system of Eye



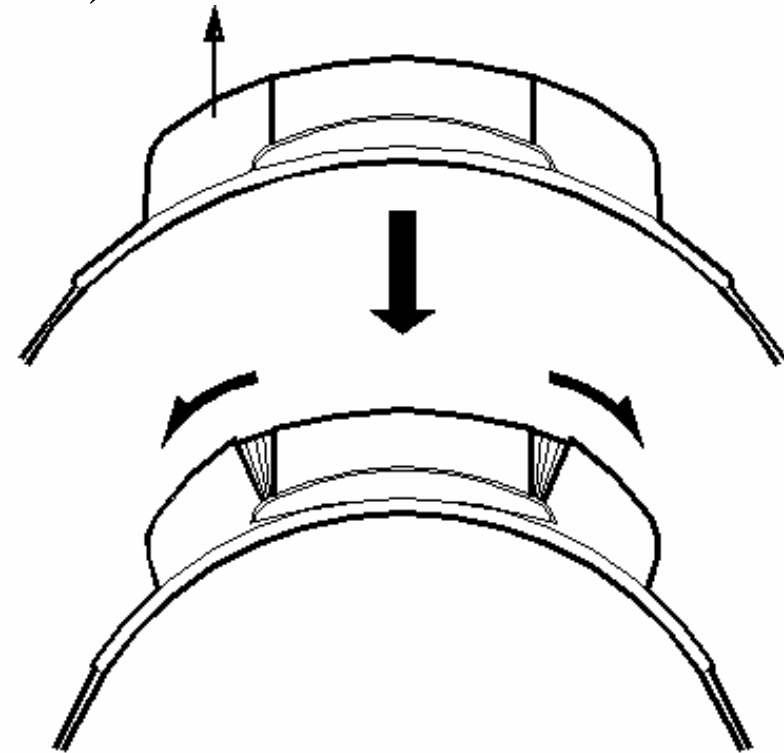
# Hyperplasia



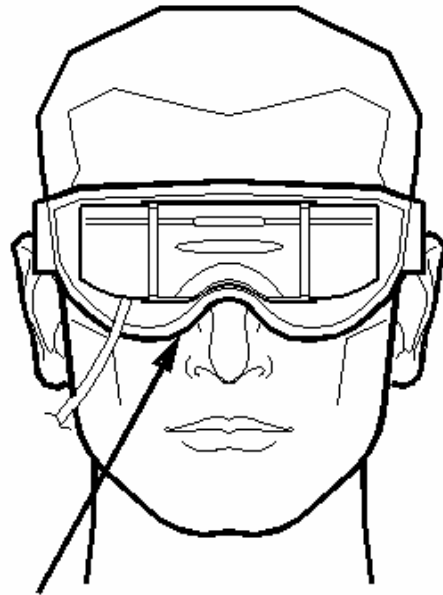
## Operate illustration

Main body of Power Eyes -Made of Acrylonitrile Butadiene Styrene(ABS)

- Auto-adjustment according to the contour of face shapes by main engine*
- Light, Thin & Pliable*

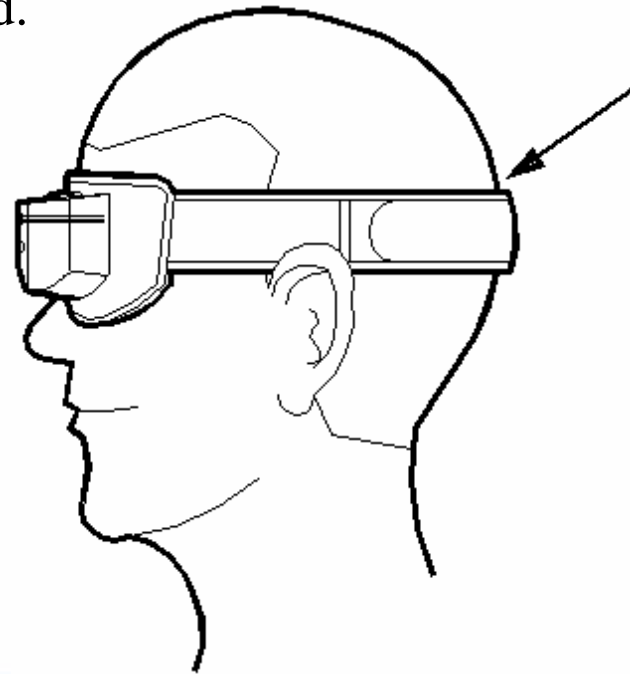


# Operate illustration



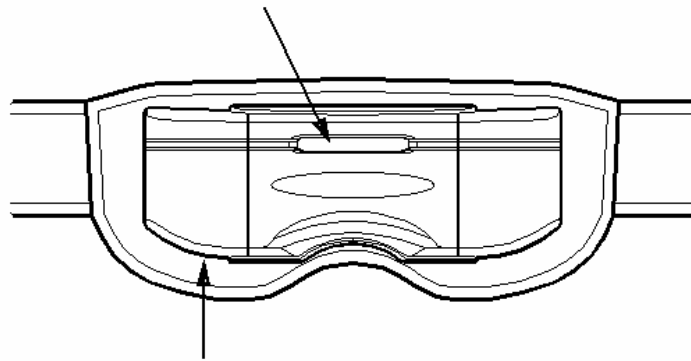
V-shaped mask set

Close mask body on your face, hold strap with both hands behind your head and adjust as needed.



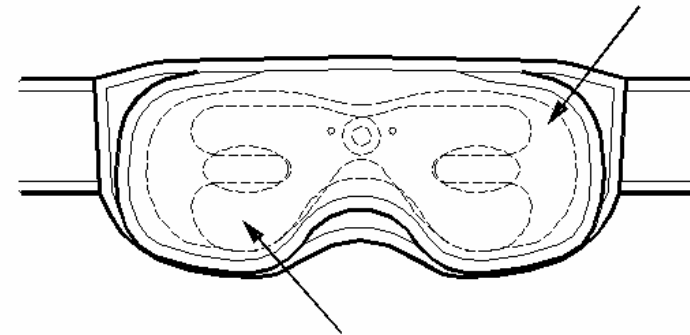
# Operate illustration

LED signal lamp



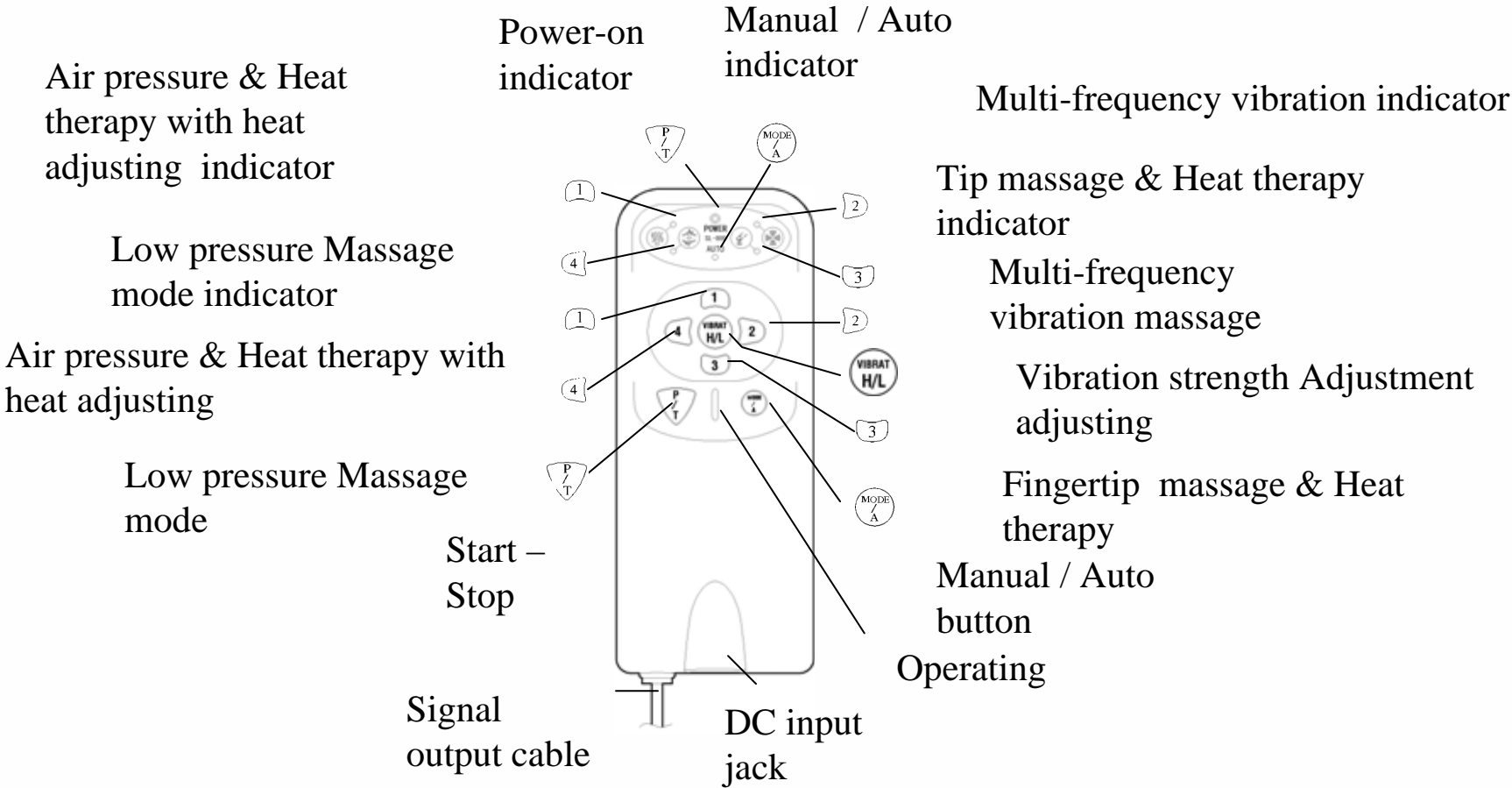
Main support(ABS)

Air bag (PVC)



Heat-conducting

# Controller



## **Direction:**

Suggestion: Use this product at least once a day (for 15 minutes). This can result in the greatest health benefits to the eyes.

*Do Not Use This Product in the event of experiencing [various symptoms of eye disease], or if, in the past, you have had an eye operation, glaucoma, cataracts, detachment of the retina, etc. If you have experienced any serious ailments involving the eyes, only use this product under the care of a physician.*

# Market Targets



Children/Teenagers



The elderly



Computer users



Young People

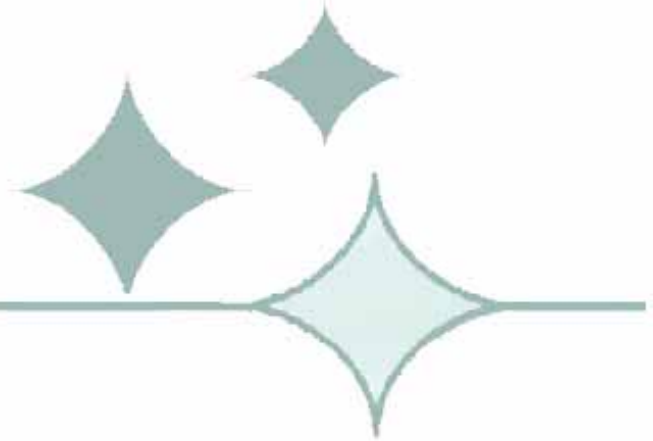


Drivers



Contact lens users

# POWER EYES<sup>®</sup> II



Original Price  
\$229/13 BVP

Special Price  
\$149/8 BVP



**HTE CANADA**



# POWER EYES<sup>®</sup> II



A New Family Member for Wellness of your eyes

HTE CANADA

